



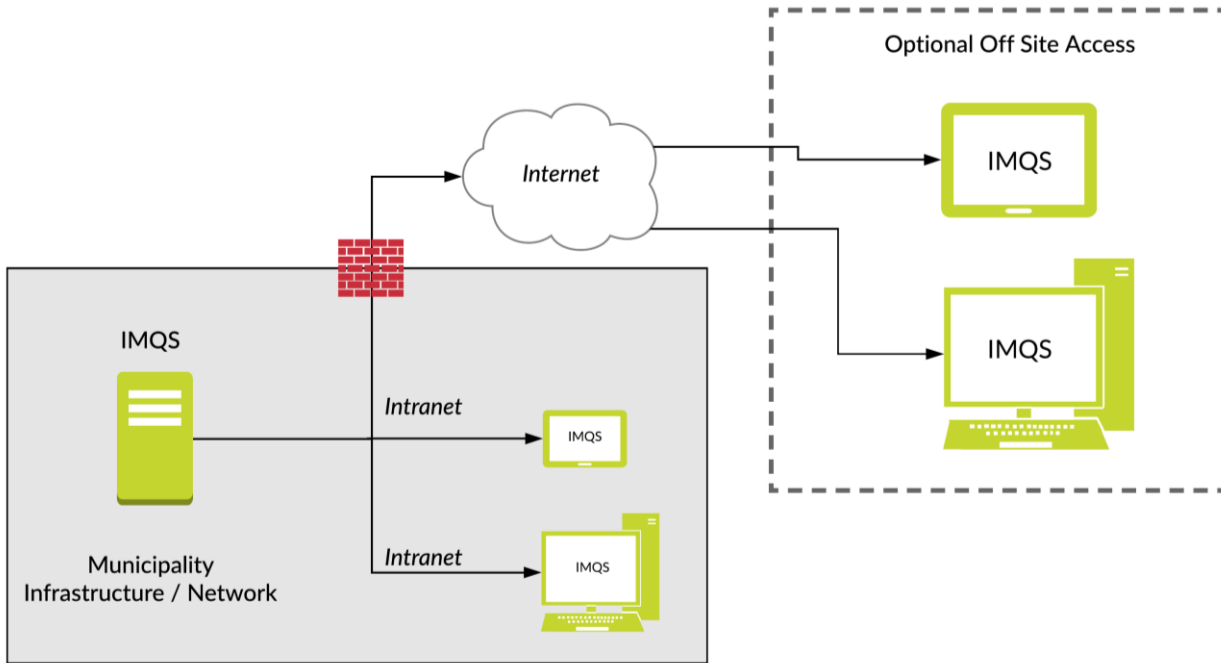
WEB PORTAL REQUIREMENTS

INTRODUCTION

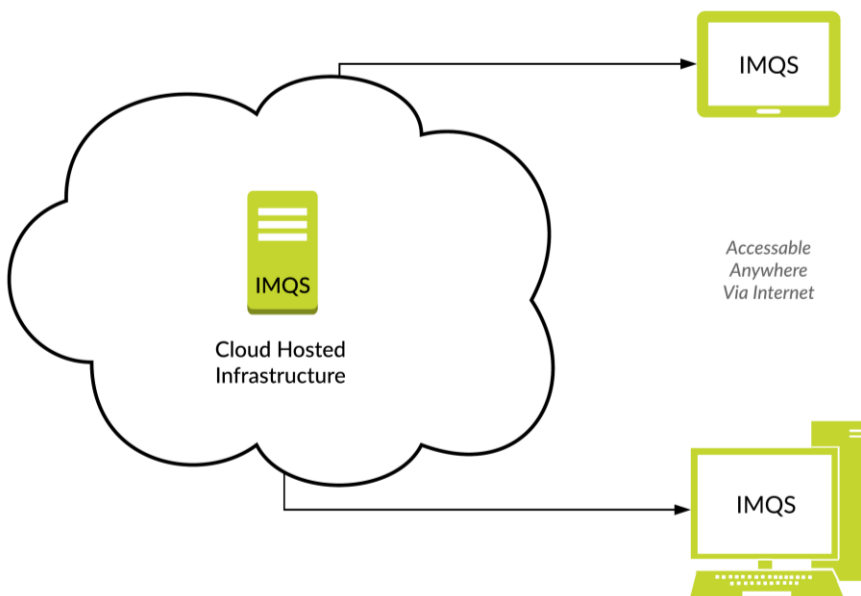
IMQS Web (version 8) is a web application hosted on a central server and accessed by any device that has a compatible browser. The web server can be hosted on site or off site (cloud). To host this setup the below IT requirements need to be met.

HOSTING OPTIONS

ON SITE



OFF SITE (CLOUD\INTERNET)



WEB APPLICATION SERVER REQUIREMENTS

OPERATING SYSTEM	
REQUIRED	Microsoft Windows Server 2012 R2 or later

PROCESSOR	
PROCESSOR	Min of Xeon Processor 2 GHz
VIRTUAL SERVER	Min of 4 cores
RECOMMENDED	Min of Xeon Quad core

HARD DISK	
SIZE	500Gb <u>Solid State Disk</u> (SSD)
RECOMMENDED	1Tb <u>Solid State Disk</u> (SSD)
	2 x 500Gb <u>Solid State Disk</u> (SSD)

SYSTEM RAM

RAM	Min 16Gb expandable to more
-----	-----------------------------

PERIPHERAL COMPONENTS

NETWORK CARD	Min 1 Gb
--------------	----------

SOFTWARE

NOTE	The below third-party software applications are installed by IMQS and should not be pre-installed by client's IT department
------	---

	PostgreSQL
	Java
	Git
	Ruby
	MongoDB
	Yellowfin
	RabbitMQ

NETWORK PORT	
INCOMING TCP PORT	Port 80 or 443
	(accessing IMQS application in web browser)
OUTGOING TCP PORT	Port 10516
	Intake.log.datadoghq.com(web server health monitor)
ACCESSIBLE URL'S	https://imqs-mailer.appspot.com
	http://api.geonames.org
	http://nominatim.openstreetmap.org/
	http://open.mapquestapi.com
	https://deploy.imqs.co.za
	https://*.datadoghq.com (Any traffic to a destination in the datadoghq.com domain, using port 443)
	https://maps.googleapis.com
	https://s3.amazonaws.com/
	https://api.rubygems.org
	https://rubygems.org

NETWORK	
CONNECTION	Via Web browser
HTTP PORT ACCESS NUMBER	Can be changed or configured on request
RECOMMENDED	Connection via secure web browser
	(HTTPS, port 443)
	SSL Security certificate provided by client

BANDWIDTH & SPEED	
LESS THAN 15 USERS	Min 4Mb/s (500kb/s)
MORE THAN 15 USERS	For Every 10 – 15 Users additional add 4Mb/s

REMOTE ACCESS	
REMOTE DESKTOP ACCESS (RDP)	Local Windows Admin Rights to IMQS Web Portal Server
	(for Software Setup & Continuous Maintenance)

WEB USERS DESKTOP / LAPTOP / TABLET REQUIREMENTS

PROCESSOR	No min specs
OPERATING SYSTEM	No min specs
SYSTEM RAM	No min specs
SCREEN SIZE	1024 x 768
SCREEN SIZE - RECOMMENDED	1280 x 1024
SOFTWARE	Adobe Acrobat or similar PDF viewer
INTERNET BROWSERS	Google Chrome
	Microsoft Edge (Internet Explorer not supported)
	Mozilla Firefox
	Safari
	Opera
BROWSERS REQUIRED	Automatic updates enabled
	JavaScript enabled
	Allow local storage and cookies to be set
NETWORK	Access to IMQS Portal Server port 80 or 443